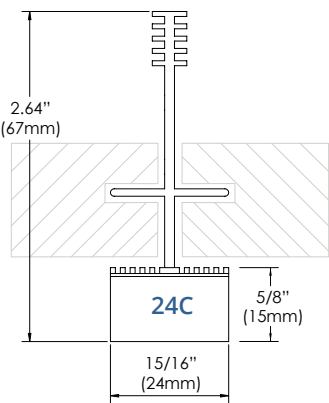
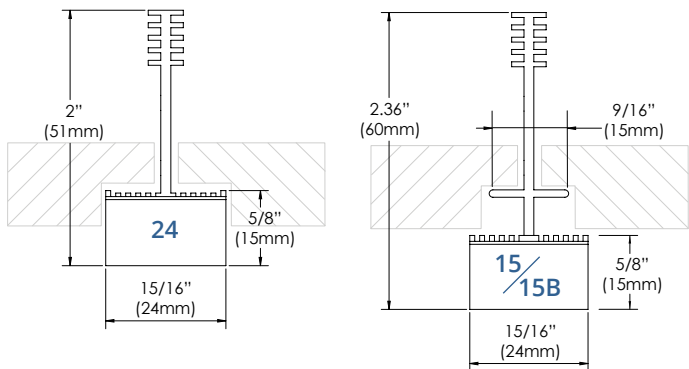


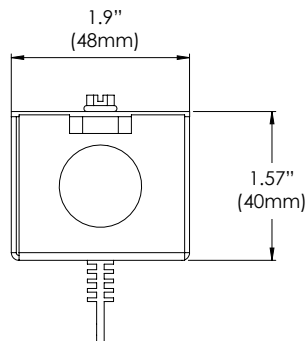
Product Name	Type of LED/K Color	Size	Grid Type	Optic	Mounting Clips	Color
TBTW = T-BAR TWO	HW = 3000K MW = 3500K MN = 4000K HN = 4500K	2 = 2 ft 4 = 4 ft 4L = 4 ft L* 6 = 60 cm 12 = 120 cm 12L = 120 cm L*	24 = 15/16" 15 = 9/16" 15B = 9/16" Bolt Slot 24C = 15/16" Partially Concealed Grid	CD = Cut-Off Reflector & Diffusing Lens CDWH = White Cut-Off Reflector & Diffusing Lens CDBL = Black Cut-Off Reflector & Diffusing Lens	U = Universal A = Armstrong C = Custom	W = White C = Custom

www.jlc-tech.com/patents

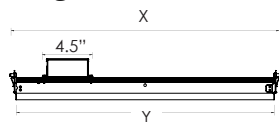
Profile Dimensions



JB Installed on top (provided)



Length Dimensions



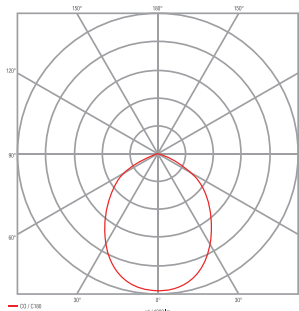
Size	Grid Type	X	Y
2 = 2ft	24 = 15/16"	24"	23"
4 = 4ft	24 = 15/16"	48"	47"
4L = 4ft L	24 = 15/16"	48"	24"
2 = 2ft	15 = 9/16"	24"	23.4"
4 = 4ft	15 = 9/16"	48"	47.4"
4L = 4ft L	15 = 9/16"	48"	24"

CRI > 82 L₈₀ > 60K hrs IP20 *Only available in 15/16"

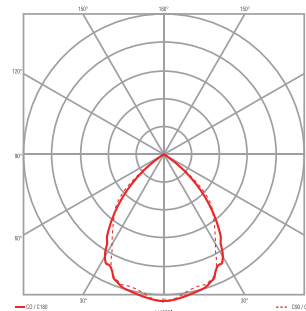
LIGHT OUTPUT:

2ft Model
Diffusing = 769lm
Cut-Off Reflector = 321lm
Total = 1071lm

4ft Model
Diffusing = 1539lm
Cut-Off Reflector = 643lm
Total = 2143lm



15/16" Diffusing Lens



15/16" Cut-Off Reflector

NOTES:

T-BAR TWO modules can be parallel connected up to 16 linear feet of each circuit max per power supply. Remote power supply includes JB compartment for AC input direct wiring with metal conduit. Max distance from power supply to fixtures is 30 feet with 18 AWG wire. Longer distance achievable if using higher gauge wire.

APPLICATIONS:

Executive, Medical, Health, Educational, Retail, Hotels, Airport, Hospitality and any open space areas that require a unique and elegant architectural lighting design.

MOUNTING:

Universal mounting brackets are for easy installation to standard 15/16" or 9/16" T-Bars of most manufacturers' ceiling suspension systems. Armstrong compatible mounting clips for installation with Armstrong Ceiling 15/16" Prelude® and Clean Room™, 9/16" Suprafine®, Silhouette®, Sonata® and Interlude® suspension systems.

MATERIALS:

Anodized and painted aluminum extruded body, steel mounting clips, white PC end caps, high transmitting acrylic PMMA lens (diffusing lens) and high reflectance 98% aluminum coated or white or black PC reflectors for a dark light effect (cut-off reflector).

ELECTRIC:

Two circuit fixture consumes 10.8W on Circuit A Diffusion Lens (2ft fixture) and 5.75W on Circuit B Cut-Off Reflector (2ft fixture) or 21.6W on Circuit A (4ft fixture) and 11.3W on Circuit B (4ft fixture). Power supply consumption not included. Input voltage 24VDC. Junction box mounted on fixture with 4 cables of 20AWG inside for Circuit A and Circuit B connection to power supply.

WARRANTY:

5 years

LISTINGS:

ETL/cETLus CE RoHS. Indoor use only. IC Rated.

