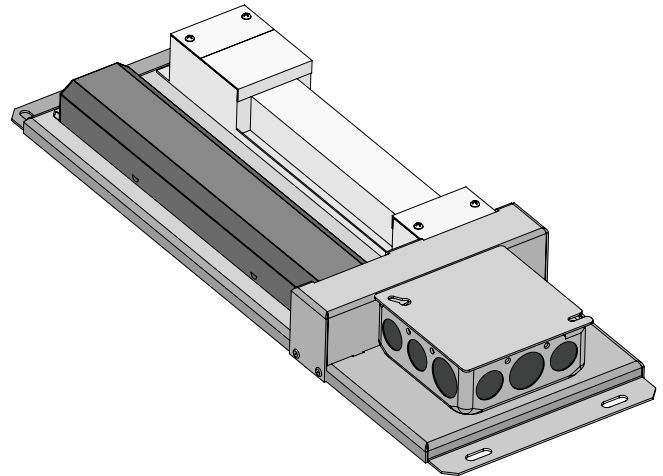


## Key Features

- 120-277V AC Input
- Up to 64W output power in standard operation (Up to 8' of T-BAR LED product max)
- 12W output power in emergency operation
- Constant Voltage Output
- 0-10V Dimming
- UL Listed
  - UL8750 and UL2043 (LED Driver)
  - UL924 Listed, UL Listed and Classified to FTBV (Battery)
- Rated for use in Plenum, Dry and Damp Locations
- Long life high temperature recyclable Ni-Cad Battery (24 hour recharge, 7-10 year life expectancy)
- For use with switched or unswitched fixtures
- Includes single piece test switch and charge indicator light
- Meets or exceeds all NEC, IBC, and Life Safety Code Emergency Lighting Requirements
- 90 min operation maintains illumination for the full emergency runtime with no degradation
- Operating Temp: 0° - 50° C
- 5 year warranty
- RoHS compliant

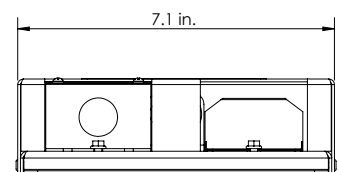
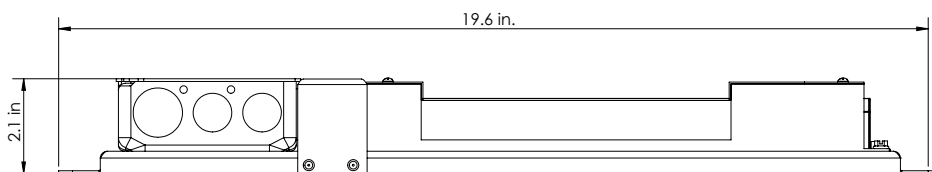
## Mechanical Details

Ingress Protection:	IP20
Weight:	6 lbs
Dimensions:	20" x 7" x 2"
I/O Connections:	AC input and DC output connections are made inside the wiring junction boxes



## Description

Factory wired LED driver with battery back-up for remote installation allows the same T-BAR LED to be used for both normal and emergency operation. In emergency mode the kit provides 12W of power for 90 minutes. Available with 0-10Vdc nominal 1% dimming during non-emergency mode.



### Input/Output Specifications

Input Voltage	120–277VAC, 50/60Hz
Input Rating (Battery)	3.7 Watts (Max)
THD	< 20%
Power Factor	≥ 0.9
Output Voltage (Driver)	24V DC
Output Current (Driver)	2.74A (Max)
Output Power (Driver)	64 Watts (Max)
Output Power (Battery)	12 Watts (Constant)
Efficiency (Driver)	90% typical
Emergency Operation	90 minutes
Output Current in Dimming	1 to 100%
Maximum 0-10 sourcing current	500 uA (Max)

### Emergency Lumen Performance

#### Emergency Lumens\*

	15/16"	9/16"
T-BAR LED "D" Optic	900	650
T-BAR LED "B/B2" Optic	865	675
T-BAR LED "C2" Optic	1200	1050
T-BAR UP	925	925

\*Due to the 12W Constant Power output, when operating in emergency mode in the event of a power loss, the lumen output from the T-BAR LED products connected to the kit will always correspond with the above chart, regardless of the fixture run length. For example, 2ft of T-BAR LED connected to the emergency kit, when operating in emergency mode, will output the same amount of lumens as 8ft of T-BAR LED.

During normal operation, any fixture connected to the emergency kit will output its typical lumen output according the individual fixtures spec sheet.

***Please contact JLC-Tech for additional information on other available optic types or for assistance with photometric performance/calculations.***