

JLC • tech

LUTRON® LED DRIVER OPTIONS

T-BAR LED lights are now available with a new Remote Power Supply option, the Lutron® LED Drivers: the **96W Hi-Lume® Premier Driver** and the **40W Hi-Lume® Driver**. These high performance drivers provide smooth, flicker free dimming from 100% to 0.1%. These drivers are UL-Listed for remote use.

Order Specification Guide

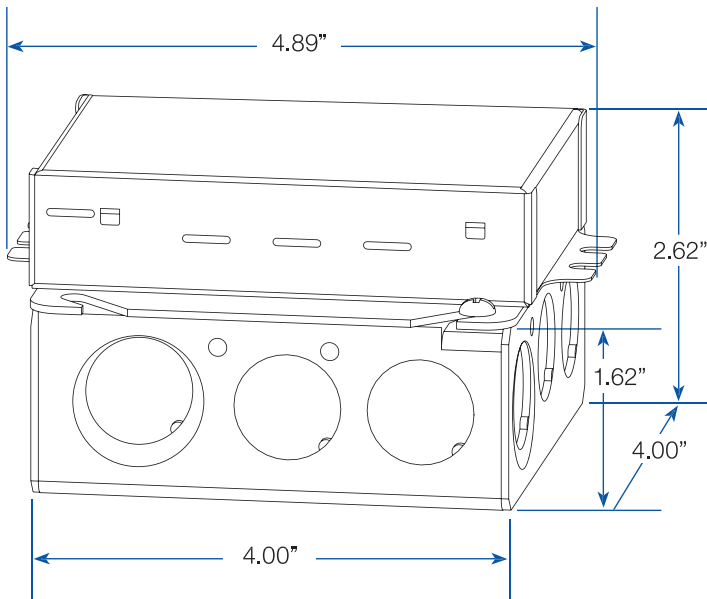
T-BAR LED Smartlight™

Product Name	Description
TBSL-L3DA4U1UKL-CV240	40W HI-LUME® 1.0% EcoSystem™ or 3-wire / Constant Voltage Driver / Universal 100-277V
TBSL-L3D0-96W24V-U	96W HI-LUME® 0.1% EcoSystem™ or 3-wire / Constant Voltage Driver / Universal 100-277V

40W HI-LUME®

1.0% EcoSystem™ or 3-wire Constant Voltage Driver

TBSL-L3DA4U1UKL-CV240



Notes:

T-BAR LED modules can be parallel connected up to 4 linear feet max per 40W Hi-Lume driver.

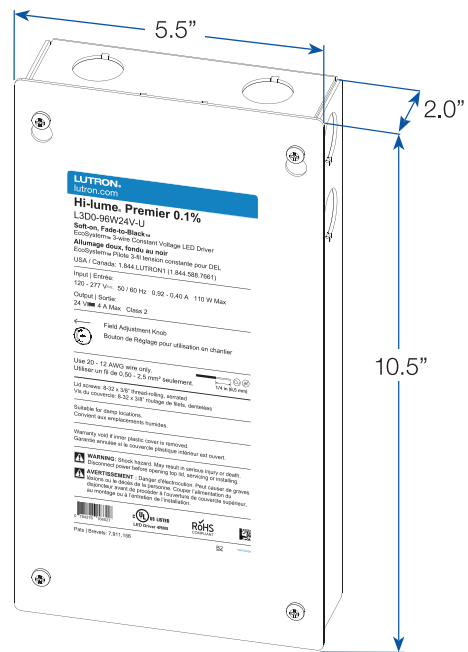
Wiring Chart:

Gauge	Length
18 (0.75 mm ²)	15ft (4.5m) maximum
16 (1.5 mm ²)	25ft (7.5m) maximum
14 (2.5 mm ²)	40ft (12m) maximum

96W HI-LUME® Premier

0.1% EcoSystem™ or 3-wire Constant Voltage Driver

TBSL-L3D0-96W24V-U



Notes:

T-BAR LED modules can be parallel connected up to 12 linear feet max per 96W Hi-Lume driver.

Wiring Chart:

Gauge	Length
18 (0.75 mm ²)	25ft (7.62m) maximum
16 (1.00 mm ²)	40ft (12.2m) maximum
14 (1.50 mm ²)	60ft (18.3m) maximum